


 **munir associates**

munir associates



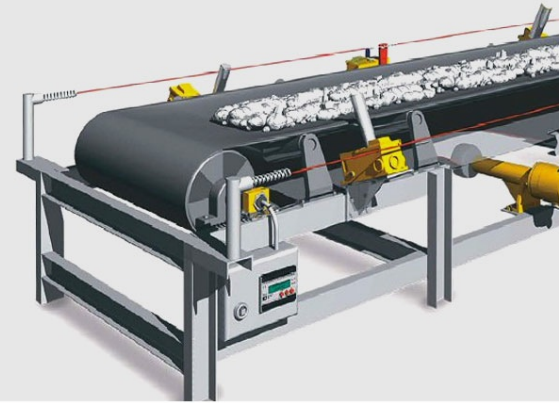
Munir Associates is one of leading industrial equipment supplier company based in the Pakistan. For over 30 years, Munir Associates, as an expanding engineering company, has stood for quality, reliability and flexibility. and has earned an industry wide reputation for excellence with goal to deliver the most usable, cost effective & accurate business relevant solutions

Trust, loyalty and commitment - these values are what Munir Associates stands for. As a medium-sized company, cultivating strong, personalised partnership, with both our customers and suppliers, is our highest priority.

Munir Associates provides services to private and government sectors. We deal in complete range of the world-renowned machinery, equipments, materials & spares for cement, fertilizer, power, mining and food-processing industries. Munir Associates has partnered with world leading brands to enhance growth in the local market and provide innovative and cost-effective industrial solutions to a wide range of clients.

**Munir Associates** has been a leading supplier of a wide range of industrial systems, machinery and spares. We strive to give reliable and best suited solutions in bulk material handling, conveyor belts, rollers, chain, bucket elevators and other industrial fields.

Our brief scope of supply & services are listed below.



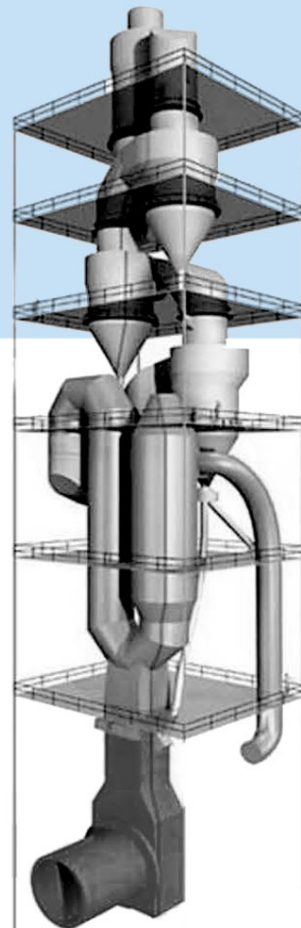
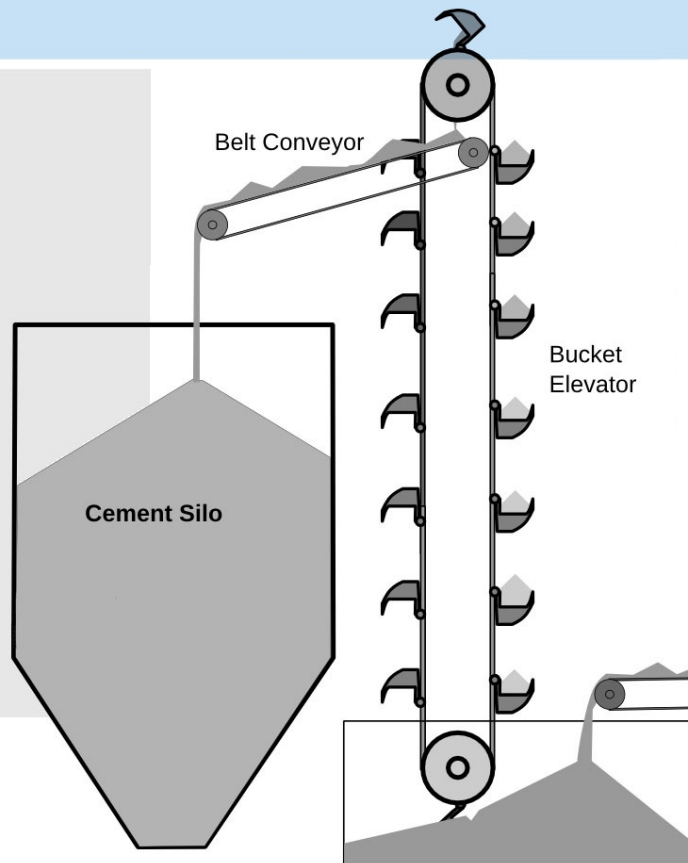
## PreHeater

- Dip Tube
- Immersion tube / cyclone tube
- Air cannon / Air blaster
- Multi-port air cannon system

## Bucket Elevator

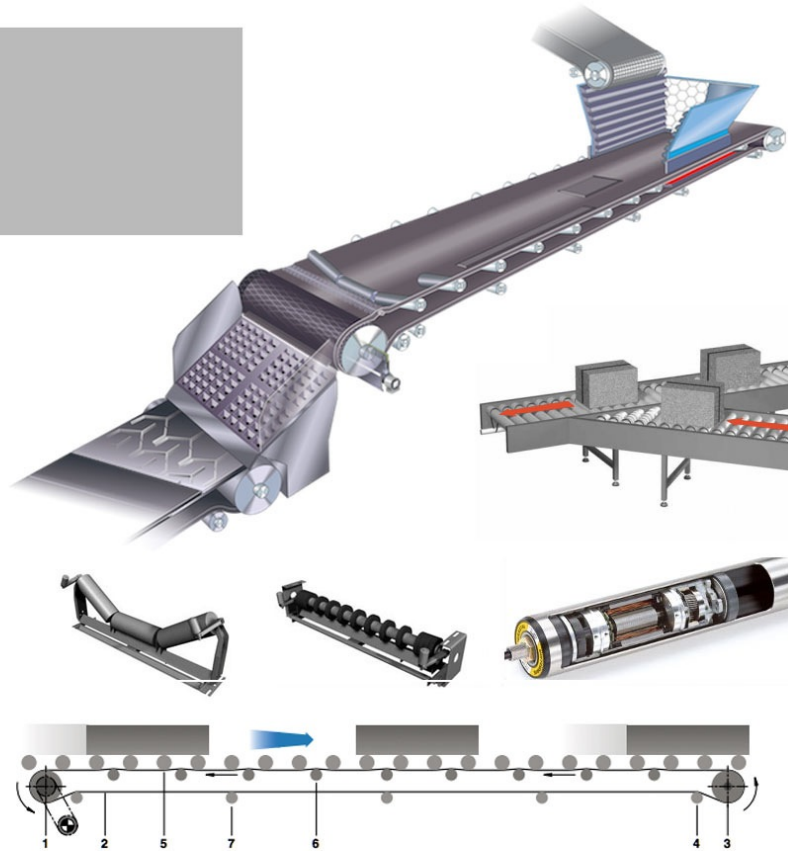
Complete range of high speed bucket elevators

- Sprockets and wheels
- Chain link
- Chain bow
- Chain shackle
- Scraper chain
- Gear rim
- Tail shaft unit for bucket elevator



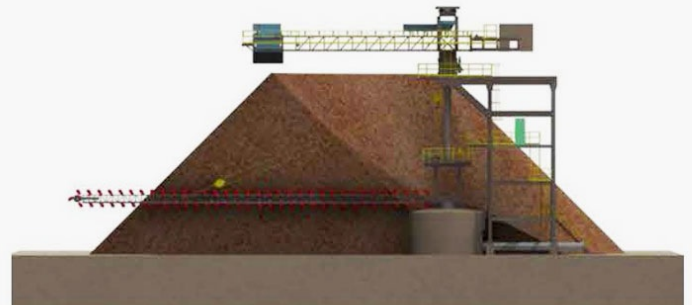
## Raw Material Transportation Bulk Material Handling

- Conveyor belt
- Heat resistant conveyor belt
- Conveyor belt tracking system
- Motorized roller
- Magnetic separator
- Self cleaning idler
- Belt cleaner
- Impact idler
- Apron conveyor chain
- Motorized pulley



## Stacker / Reclaimer

- Reclaimer chain
- Scraper chain
- Reclaimer cable reel and its spares
- Side scraper chain



## Quarry / Crusher

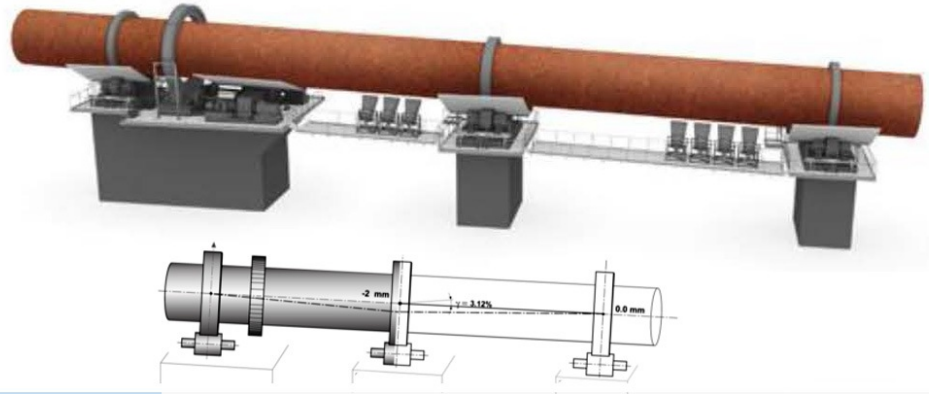
Complete range of Spares for Crusher

- Hammer
- Hammer bolt
- Blow bar
- Crusher wear plate
- Compound armour plate
- Hammer disc
- Liner plate
- Hammer rotor for limestone crusher



## Rotary Kiln

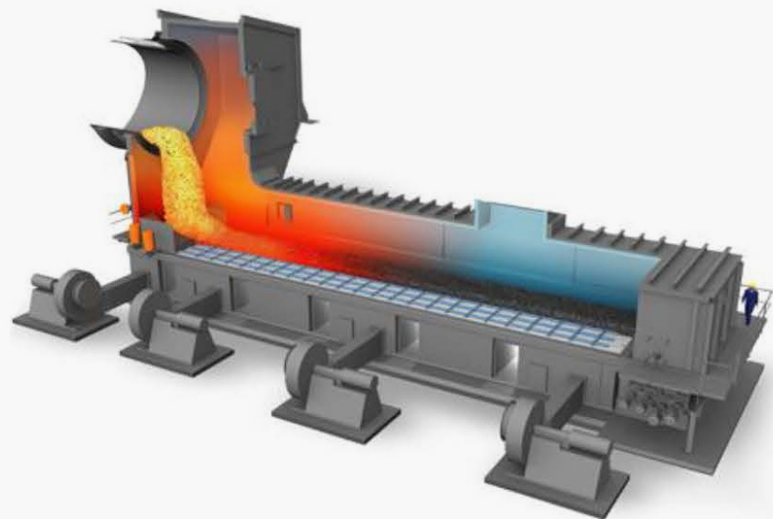
- Kiln Roller
- Kiln inlet / outlet sectors
- Anchor
- Kiln thrust plate
- Kiln cooling fan
- Kiln burner
- Hot kiln alignment & inspection



## Clinker Cooler

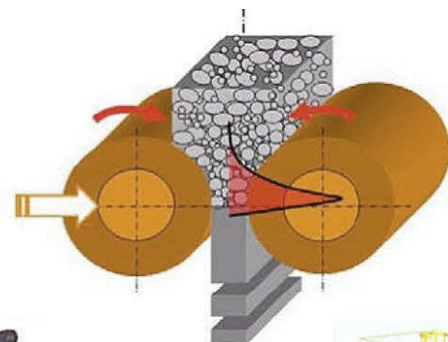
Complete range for spares of clinker cooler

- Grate plate
- Lip seal
- Driver system for clinker cooler
- Spares for cross bar cooler
- Spares for conventional cooler
- Cooler camera



## Roller Press

- Solid roller for roller press
- Couplings



## Filtration Units

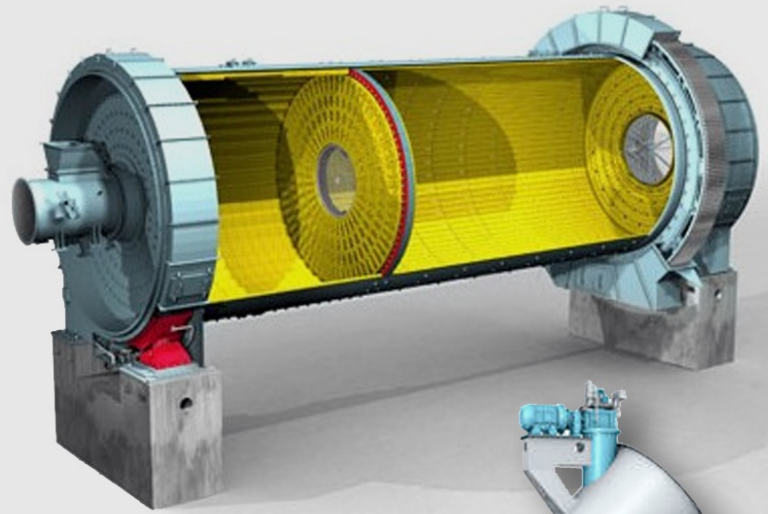
- Complete range of filtration units
- Filter bags
- Air cleaner / dust bag / dust curtain



## Cement Ball Mills

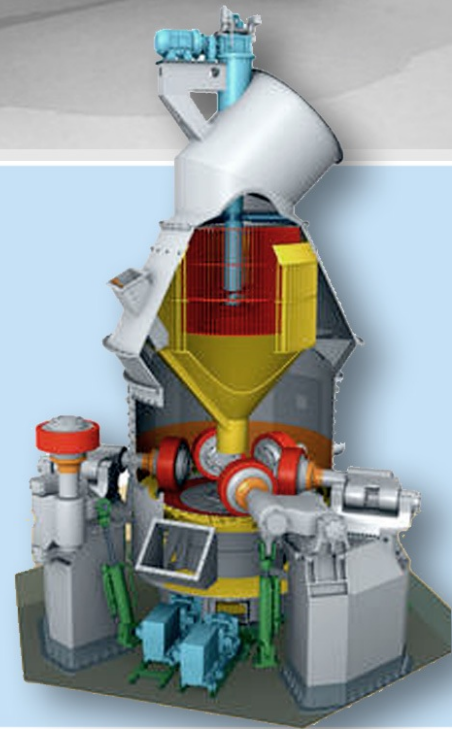
Complete range of spares for ball mills

- Liner
- Lifter liner
- Intermediate / outlet diaphragm
- Slide shoe bearing
- Grinding media
- Water injection system
- Diaphragm liner



## Vertical Grinding Cement Mills

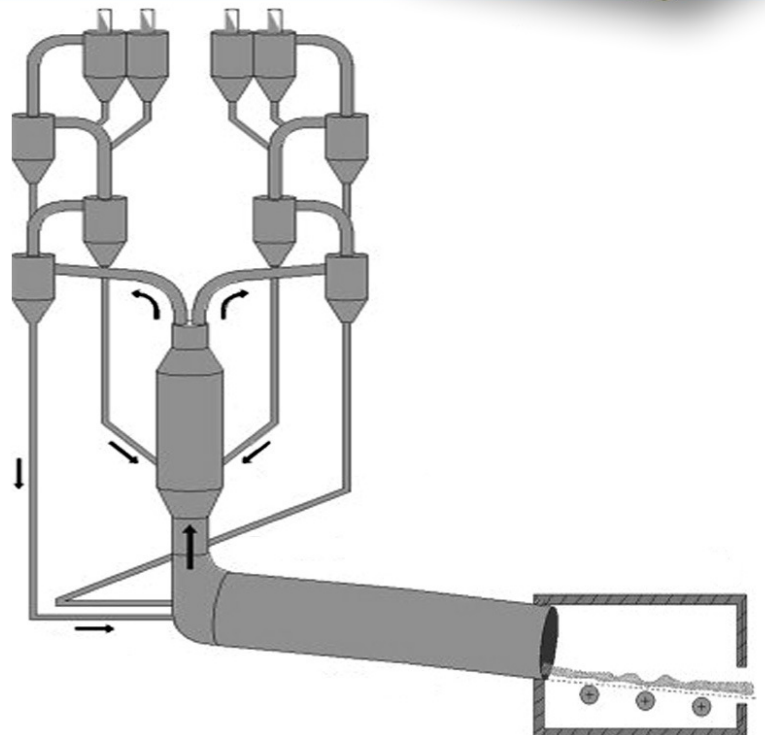
- Grinding table segments
- Grinding roller segments
- Wear segments
- Hydraulic system
- Hard facing electrodes
- Separator
- Roller mill lubrication system



## Pyro Process

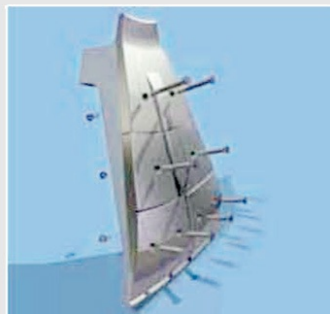
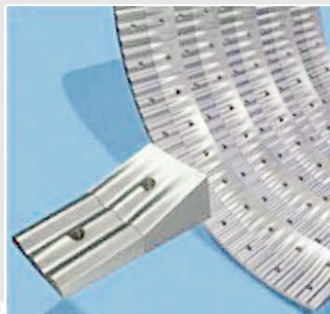
Complete range of spares for pyro process

- Analyzer
- Kiln camera
- Gas analyzer
- Instrumentation / automation



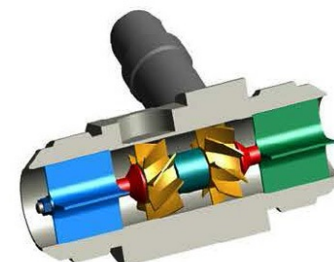
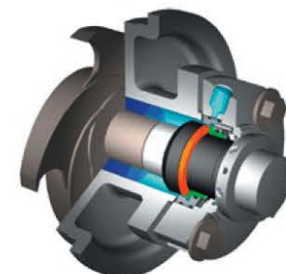
## Special Castings

- Heat resistant material
- Wear resistant material



## Mechanical Parts

- Gearbox
- Backstop
- Geared motor
- Heat exchanger
- Valve
- Seal
- Heat resistant gearbox / geared motors
- Blower
- Compressor
- Actuator
- Pump
- Oil cooler
- Bearing
- Coupling
- Pneumatic parts
- Hose



## Electrical Equipment

- Motor
- Circuit breaker
- Solenoid valve
- Module
- Cable
- Carbon brush
- Starters
- Relays & fuses
- Power & transmission cable systems



## Instrumentation

- Thermocouple
- Transducer
- PLC
- Complete range of industrial instruments



## Automation

- Touch screen
- Switches
- Kiln camera
- Lynx camera
- Kiln camera
- Spirometer
- Flow meter
- Socket





YOUR COMPLETE SOURCE FOR INDUSTRIAL EQUIPMENT AND SPARES

 **munir associates**

**A:** 124-A Main Shadman, Lahore - 54000. Pakistan

**T:** +92 42 3758 7690, 3759 8312, 3756 1499

**F:** +92 42 3757 4846

**E:** [info@munirassociates.com](mailto:info@munirassociates.com)

**W:** [www.munirassociates.com](http://www.munirassociates.com)

